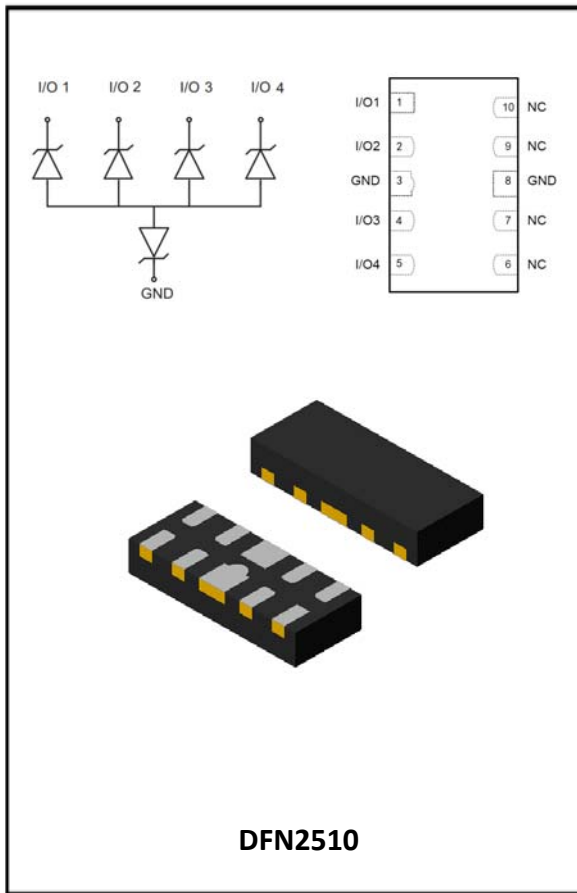


4-Line, Bi-directional, Ultra-low Capacitance, Transient Voltage Suppressor



Features

- Stand-off voltage: 5.0V Max
- Transient protection for each line according to IEC61000-4-2(ESD): $\pm 15\text{kV}$ (contact) IEC61000-4-5(surge): 7A (8/20 μs)
- Ultra-low capacitance: $C_J = 0.22\text{ pF}$ typ
- Low leakage current
- Low clamping voltage
- Up to 4 lines protects
- RoHS Compliant

Applications

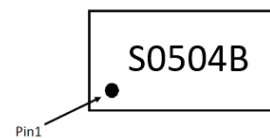
- HDMI 2.0/2.1, USB 3.0/3.1 Type C
- Monitors and flat panel displays
- Set-top box and Digital TV
- MDDI ports
- Video graphics cards
- Digital Video Interface (DVI)
- Notebook Computers
- PCI Express and Serial SATA Ports

Caution:

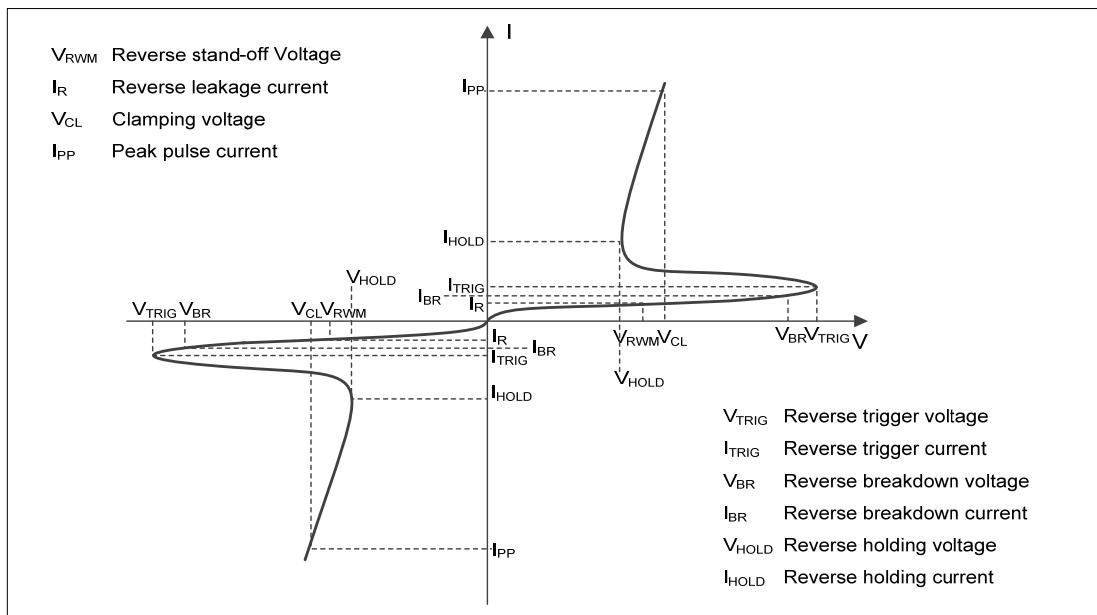
This Device is designed for signal line protection only. Not intended to be used under bias, not for application with a power line.

Mechanical Data

- Lead Finish: Matte Tin
- Case Material: "Green" Molding Compound.
- Moisture Sensitivity: Level 3 per J-STD-020
- Marking Information: See Below



■ Definitions of electrical characteristics





SESDULC0504P5B

■Maximum Ratings

PARAMETER	SYMBOL	LIMITS	UNIT
Peak pulse power ($t_p = 8/20\mu s$)	P_{pk}	56	W
Peak pulse current ($t_p = 8/20\mu s$)	I_{pp}	7	A
ESD according to IEC61000-4-2 air discharge	V_{ESD}	± 15	KV
ESD according to IEC61000-4-2 contact discharge		± 15	
Junction temperature	T_J	-55~125	$^{\circ}C$
Storage temperature	T_{STG}	-55~150	$^{\circ}C$

■Electrical Characteristics ($T_a=25^{\circ}C$ Unless otherwise specified)

PARAMETER	Symbol	UNIT	Conditions	Min	Typ	Max
Reverse maximum working voltage	V_{RWM}	V	Any I/O pin to ground			5.0
Reverse leakage current	I_R	nA	$V_{RWM} = 5.0V$, any I/O pin to ground			200
Reverse breakdown voltage	$V_{(BR)}$	V	$I_T = 1mA$, any I/O pin to ground	6.0	7.6	10.0
Reverse holding voltage	V_{HOLD}	V	$I_{HOLD} = 50mA$, any I/O pin to ground	2		
Clamping voltage ¹⁾	V_{CL}	V	$I_{PP} = 16A$, $t_p = 100ns$		6.5	
Clamping voltage ²⁾	V_{CL}	V	$I_{PP} = 1A$, $t_p = 8/20\mu s$		3	5
		V	$I_{PP} = 7A$, $t_p = 8/20\mu s$		6.5	8
Junction capacitance	CJ	pF	$V_R = 0V$, $f = 1MHz$ Any I/O pin to GND		0.22	0.28
			$V_R = 1.5V$, $f = 1MHz$ Any I/O pin to GND		0.2	0.26

Notes:

- 1) TLP parameter: $Z_0 = 50\Omega$, $t_p = 100ns$, $t_r = 2ns$, averaging window from 60ns to 80ns.
- 2) Non-repetitive current pulse, according to IEC61000-4-5.

■Ordering Information (Example)

PREFERED P/N	PACKING CODE	UNIT WEIGHT(mg)	MINIMUM PACKAGE(pcs)	INNER BOX QUANTITY(pcs)	OUTER CARTON QUANTITY(pcs)	DELIVERY MODE
SESDULC0504P5B	F1	Approximate 3.48	3000	30000	120000	7 reel



■ Characteristics (Typical)

Fig.1 8/20 μ s waveform per IEC61000-4-5

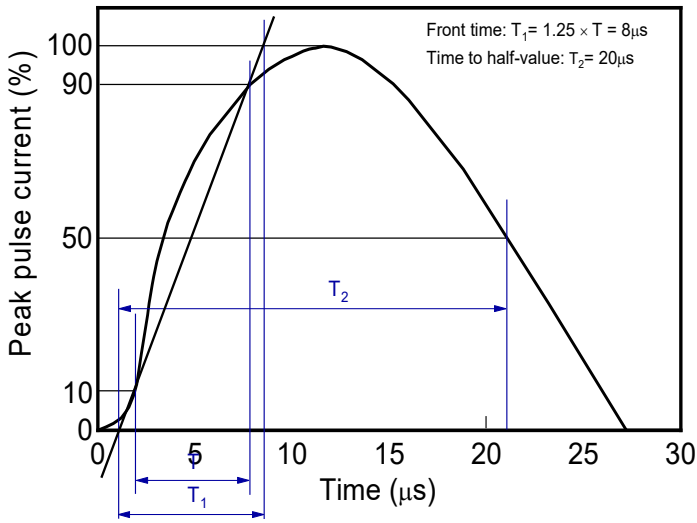


Fig.2 Contact discharge current waveform per IEC61000-4-2



Fig.3 Clamping voltage vs. Peak pulse current

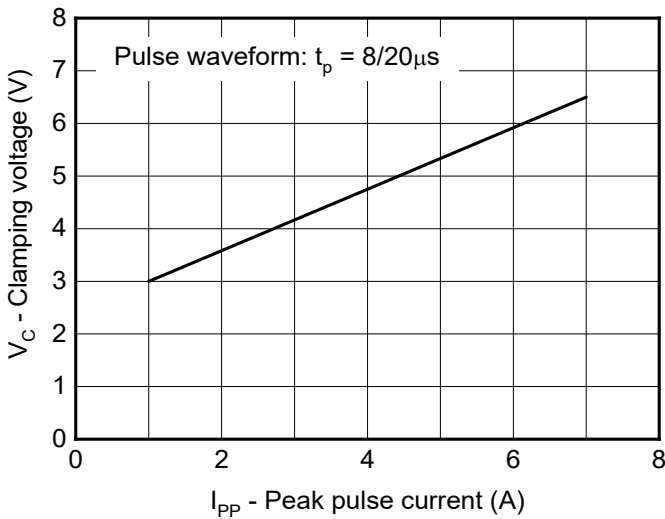


Fig.4 Capacitance vs. Reverse voltage

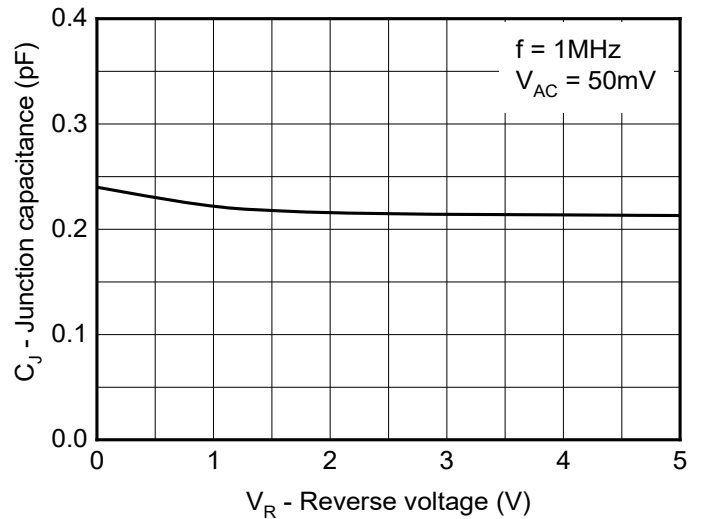


Fig.5 Non-repetitive peak pulse power vs. Pulse time

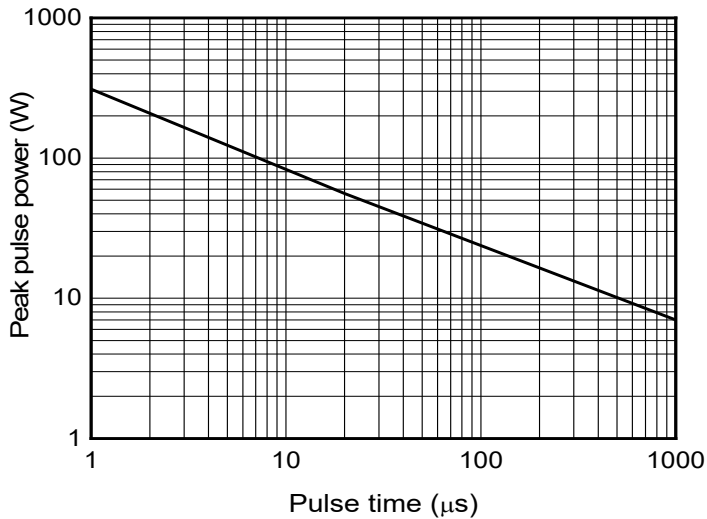
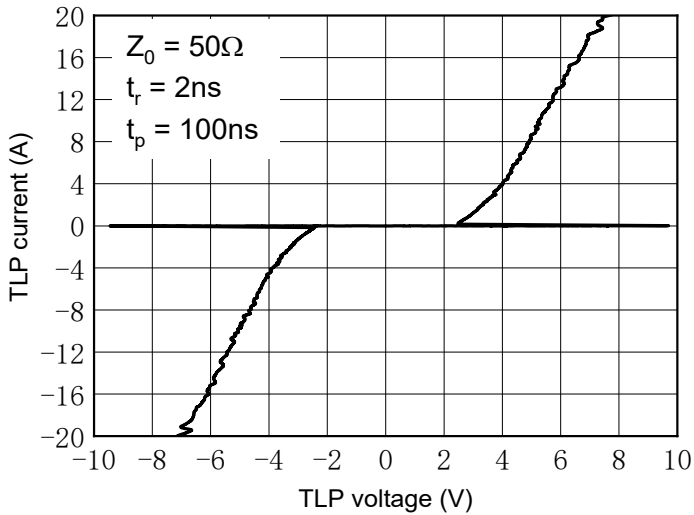


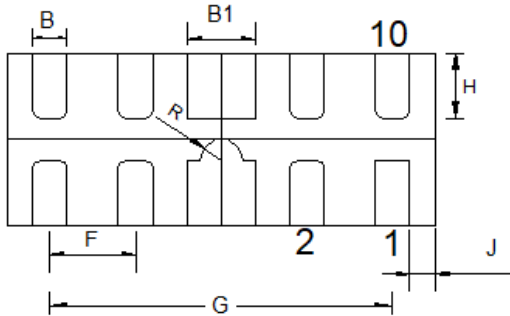
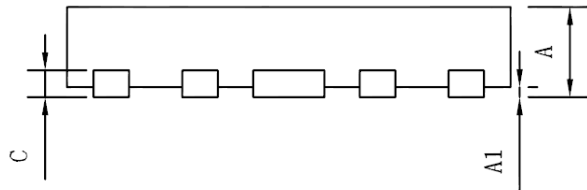
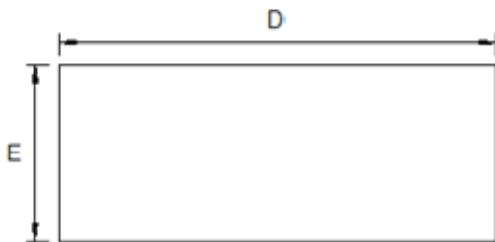
Fig.6 Power derating vs. Ambient temperature



Fig.7 TLP Measurement

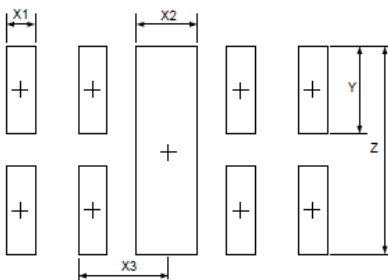


Outline Dimensions



SYMBOL	MILLIMETER		
	MIN	NOM	MAX
A	0.40	0.45	0.50
A1	--	0.02	0.05
B	0.15	0.20	0.25
B1	0.35	0.40	0.45
C	0.10	0.15	0.20
D	2.45	2.50	2.55
E	0.95	1.00	1.05
F	0.50 BSC		
G	2.00 BSC		
H	0.30	0.38	0.46
R	0.125 BSC		
J	0.10	0.15	0.20

Soldering Footprint



SYM	DIMENSIONS	
	MILLIMETERS	INCHES
X1	0.200	0.008
X2	0.400	0.016
X3	0.600	0.024
Y	0.600	0.024
Z	1.400	0.056

Notes:

This recommended land pattern is for reference purposes only. Please consult your manufacturing group to ensure your PCB design guidelines are met.



SESDULC0504P5B

Disclaimer

The information presented in this document is for reference only. Yangzhou Yangjie Electronic Technology Co., Ltd. reserves the right to make changes without notice for the specification of the products displayed herein to improve reliability, function or design or otherwise.

The product listed herein is designed to be used with ordinary electronic equipment or devices, and not designed to be used with equipment or devices which require high level of reliability and the malfunction of which would directly endanger human life (such as medical instruments, transportation equipment, aerospace machinery, nuclear-reactor controllers, fuel controllers and other safety devices), Yangjie or anyone on its behalf, assumes no responsibility or liability for any damages resulting from such improper use of sale.

This publication supersedes & replaces all information previously supplied. For additional information, please visit our website [http:// www.21yangjie.com](http://www.21yangjie.com) , or consult your nearest Yangjie's sales office for further assistance.